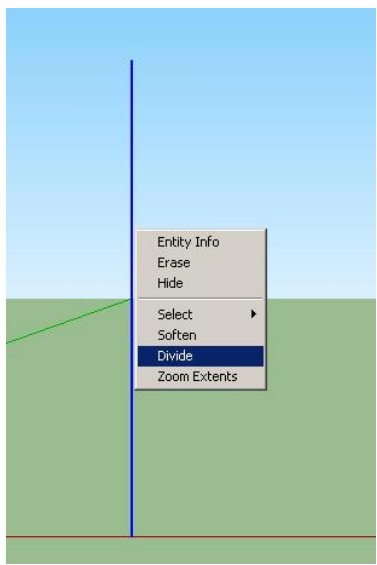
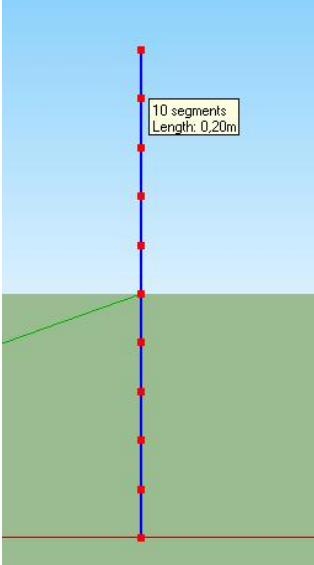
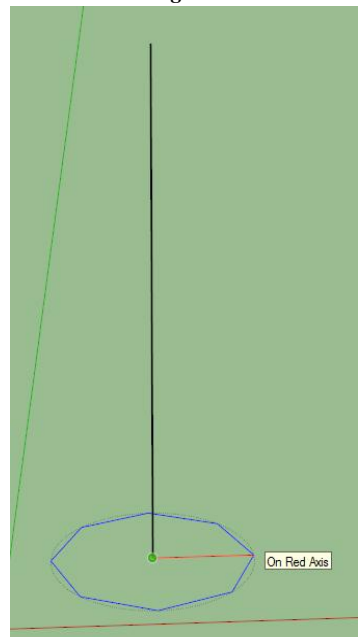
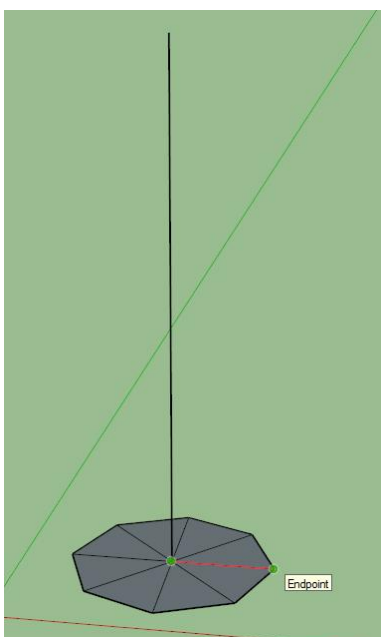
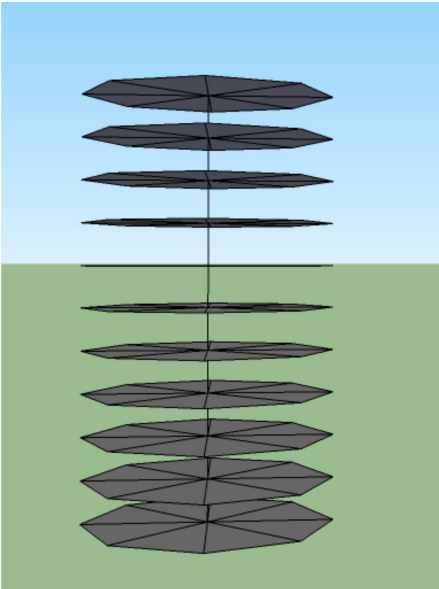
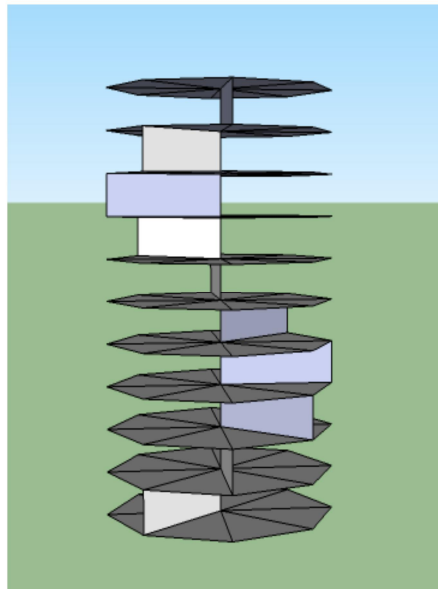
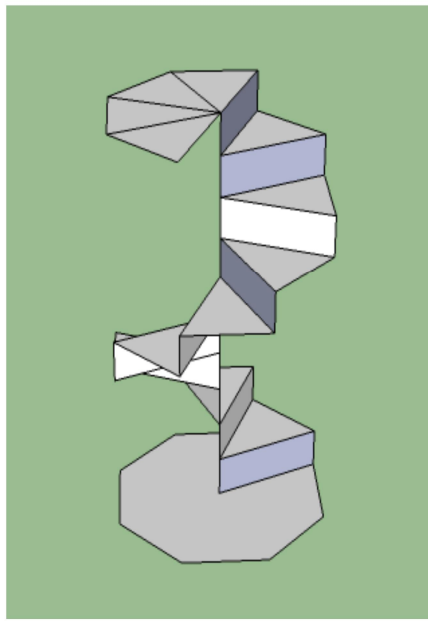
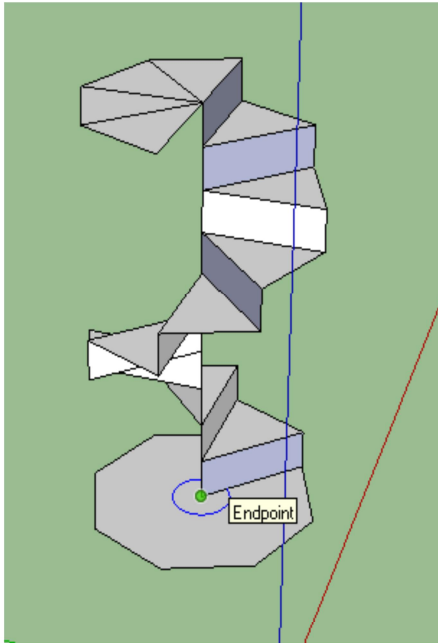


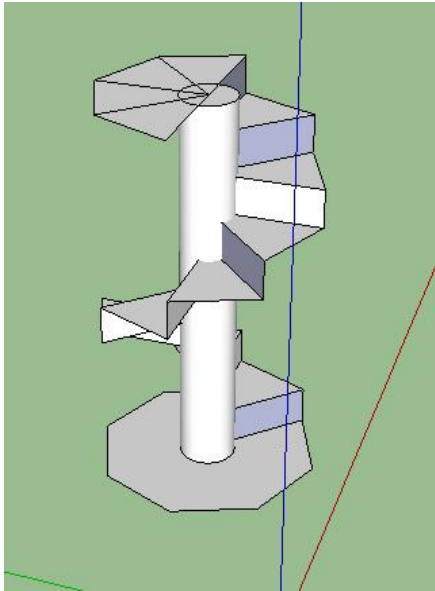
HOW TO DESIGN A SNAIL STAIR: Follow these steps:

<p>1</p> <p><i>Line (vertical) → Divide (mouse context menu)</i></p> 	<p>2</p> <p><i>Divide (10 segments)</i></p> 
<p>3</p> <p><i>Octagon</i></p> 	<p>4</p> <p><i>Lines</i></p> 

<p>5</p> <p><i>Repeat (or Copy & Paste)</i></p> 	<p>6</p> <p><i>Rectangles</i></p> 
<p>7</p> <p><i>Erase (delete lines)</i></p> 	<p>8</p> <p><i>Circle</i></p> 

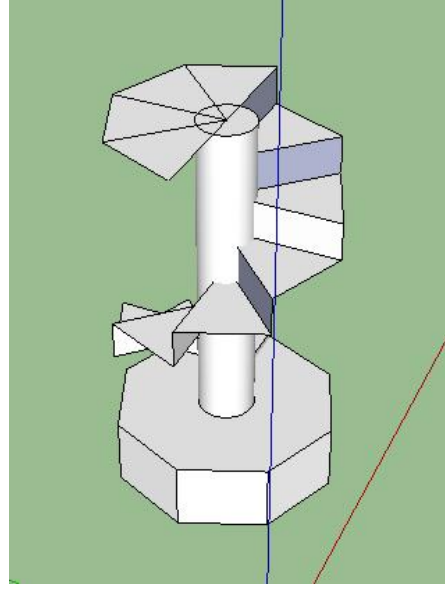
9

Pull (circle)



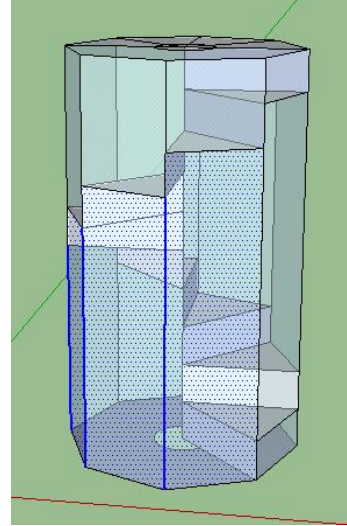
10

Pull (octagon)



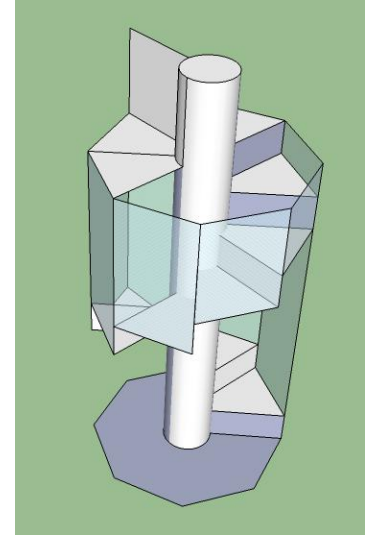
13

Erase



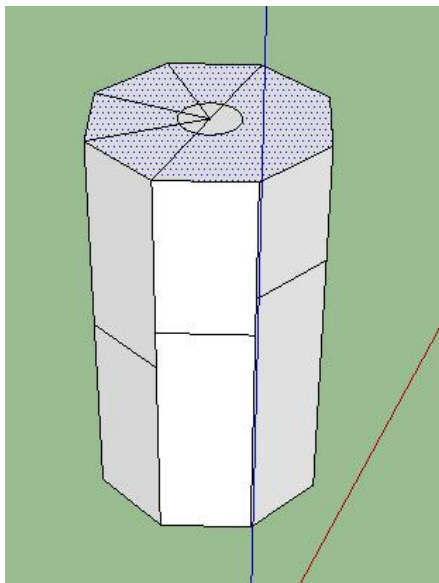
14

*Pull (circle)
Draw Rectangles*



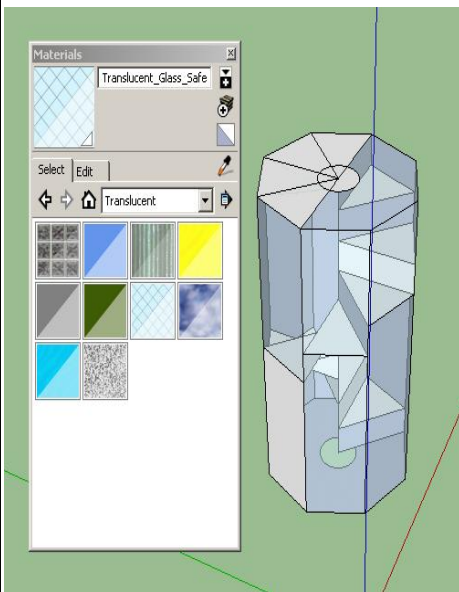
11

Pull (finished)



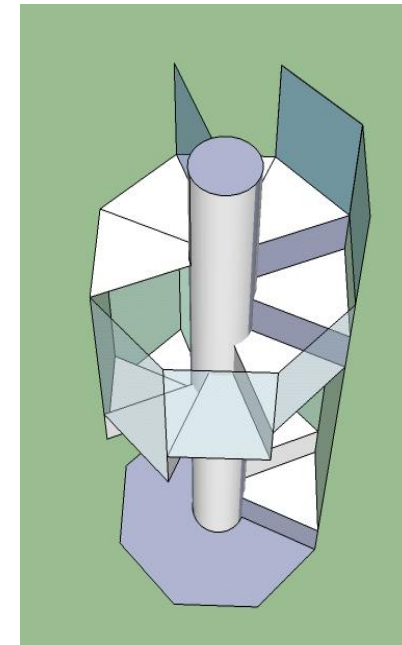
12

Paint (translucent color)



15

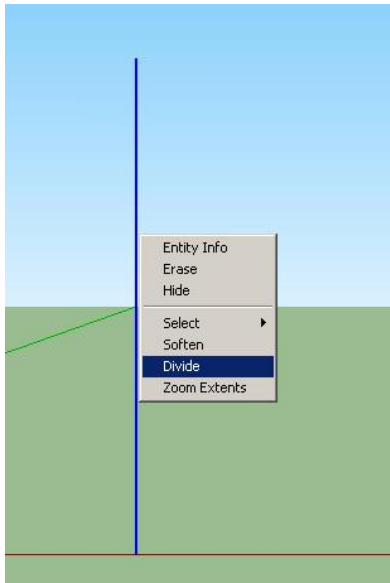
Finished



AND... ¿A CIRCULAR SNAIL STAIR?

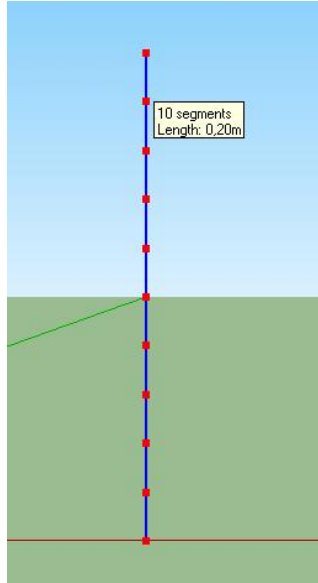
1

Line (vertical) → Divide



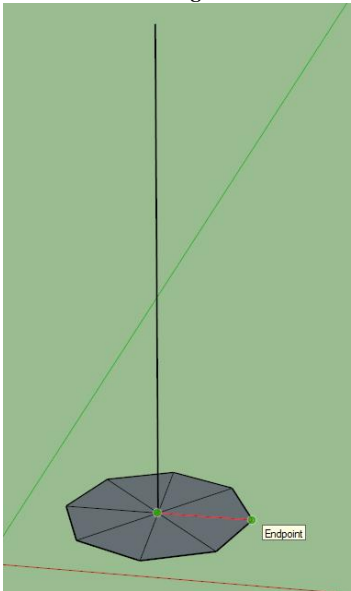
2

10 segments



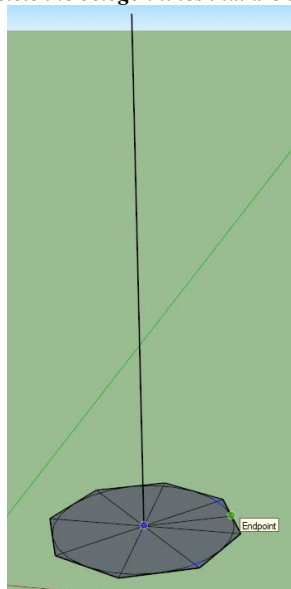
3

Octagon



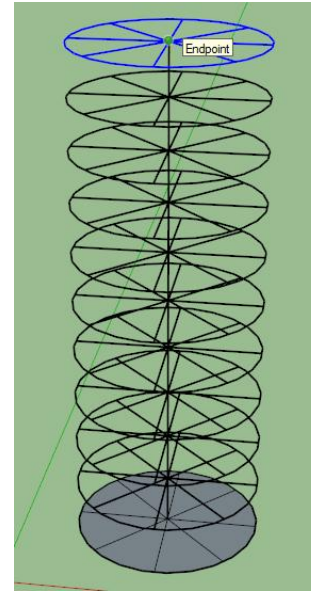
4

Octagon over Circle
(delete the octagon lines that are left)



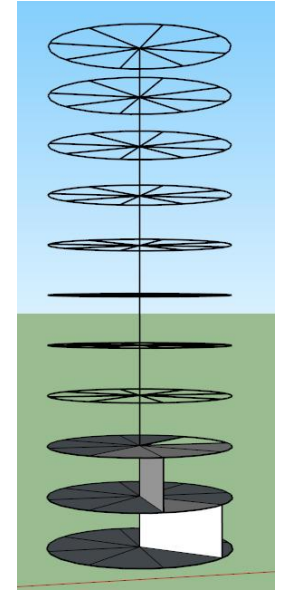
5

Copy → Paste



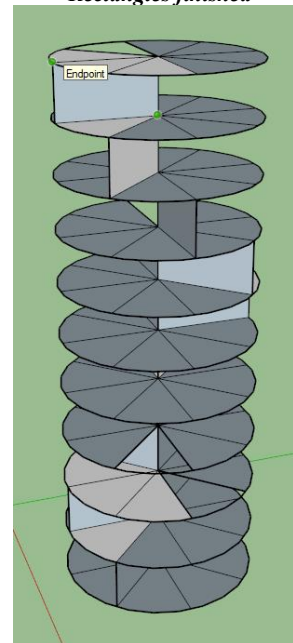
6

Rectangles



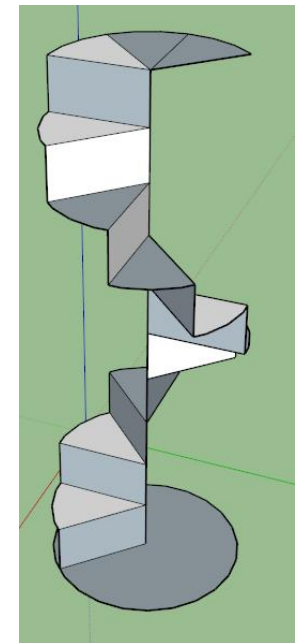
7

Rectangles finished



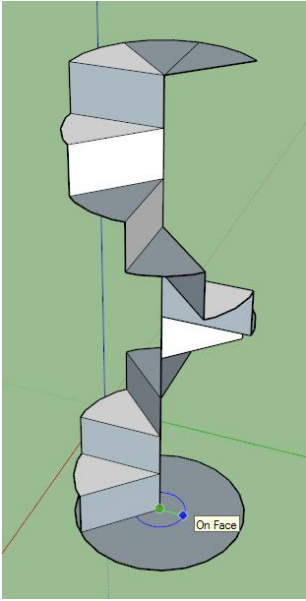
8

Erase



9

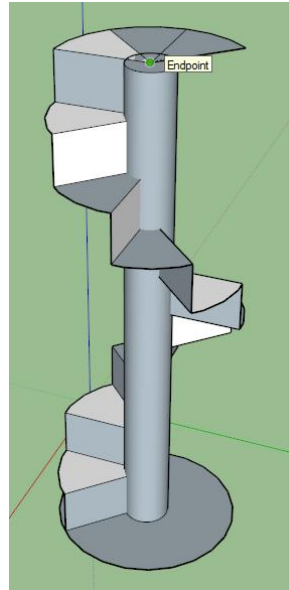
Circle



11

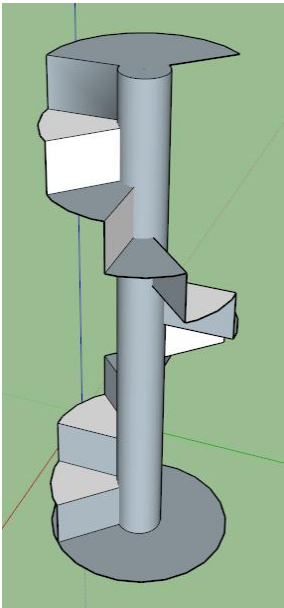
10

Pull

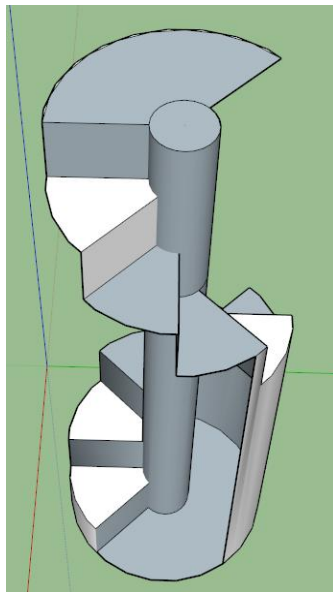


12

Erase



Circle (outer) → Pull, Erase lines...



continue if you want...